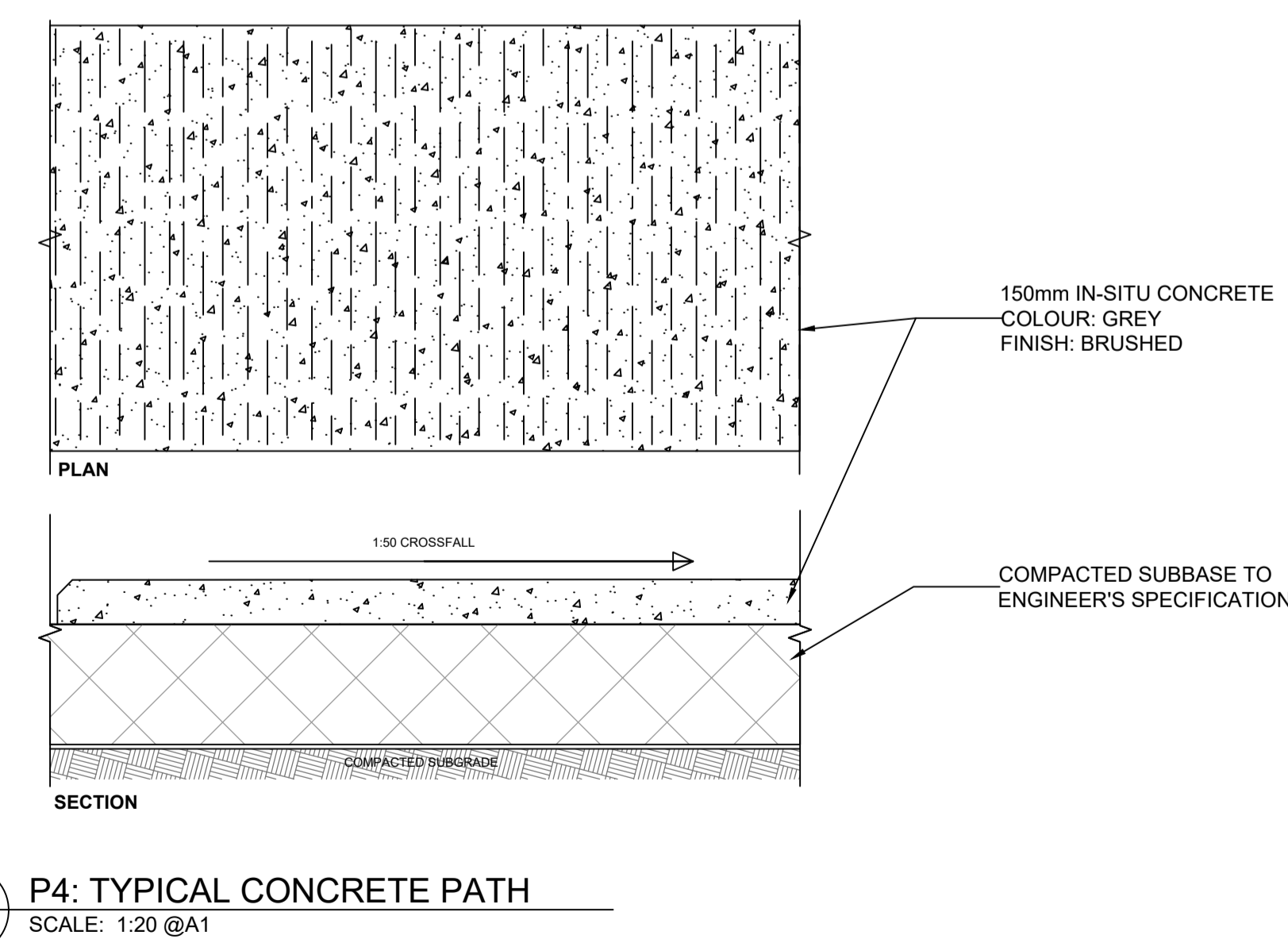
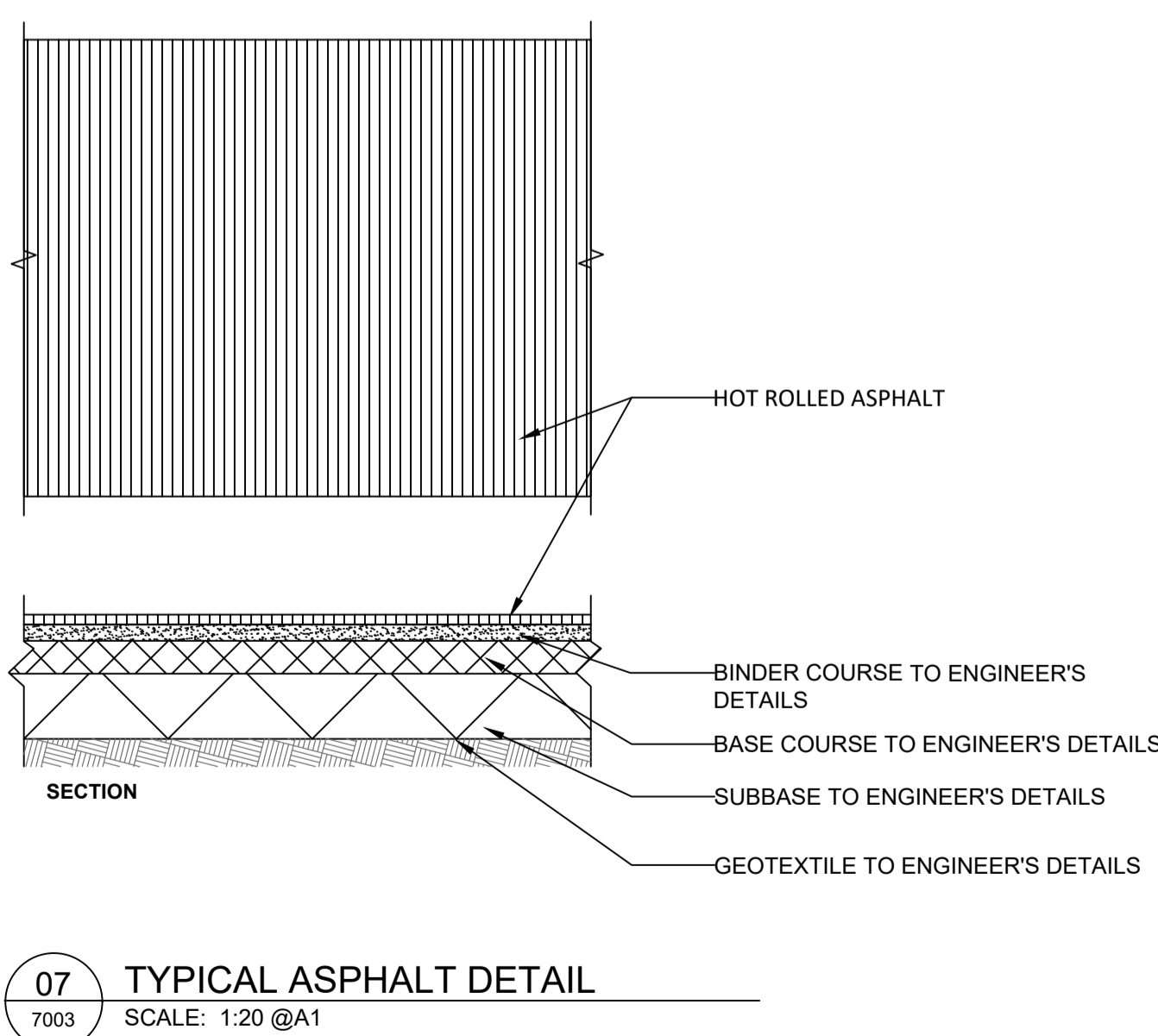
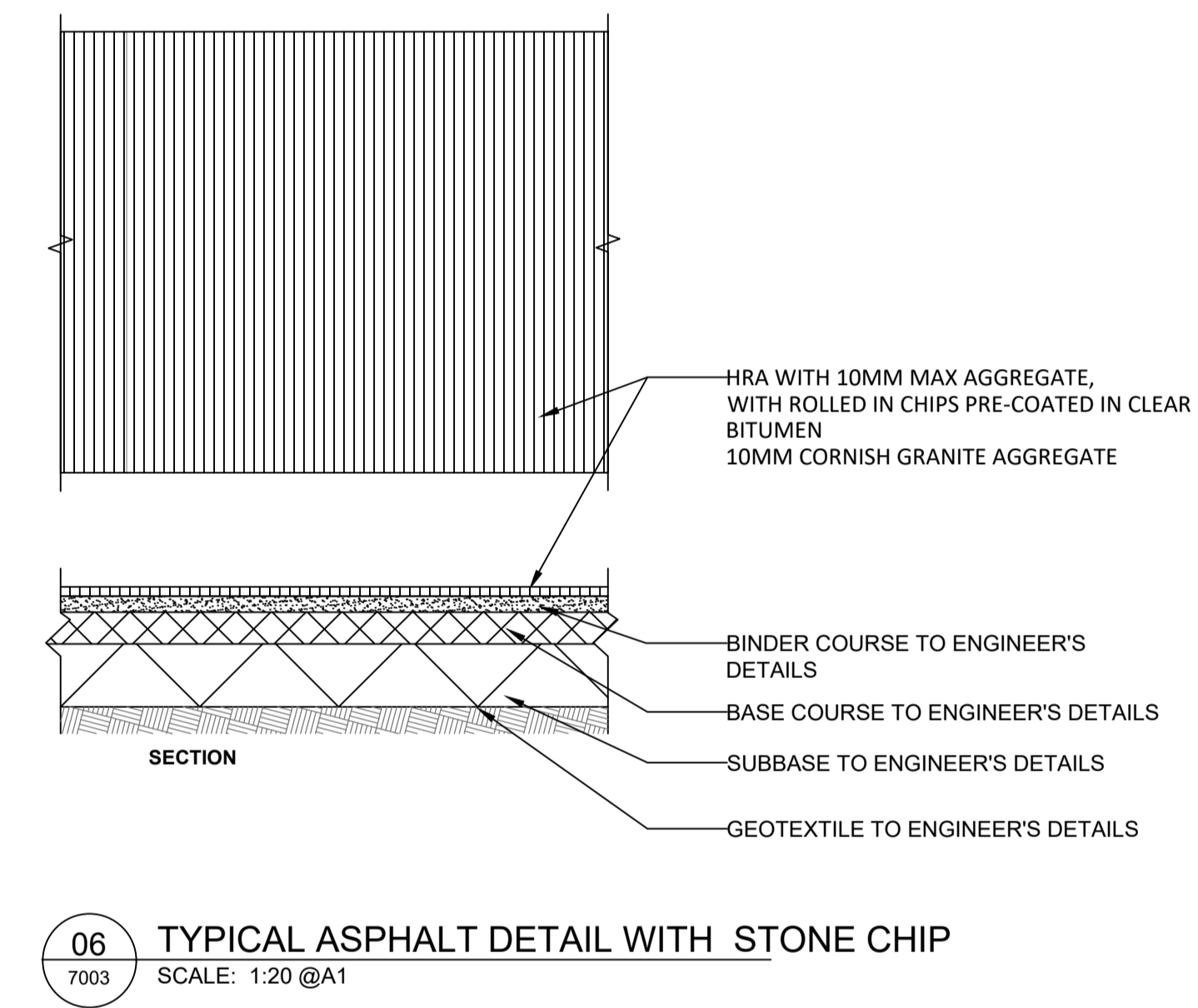
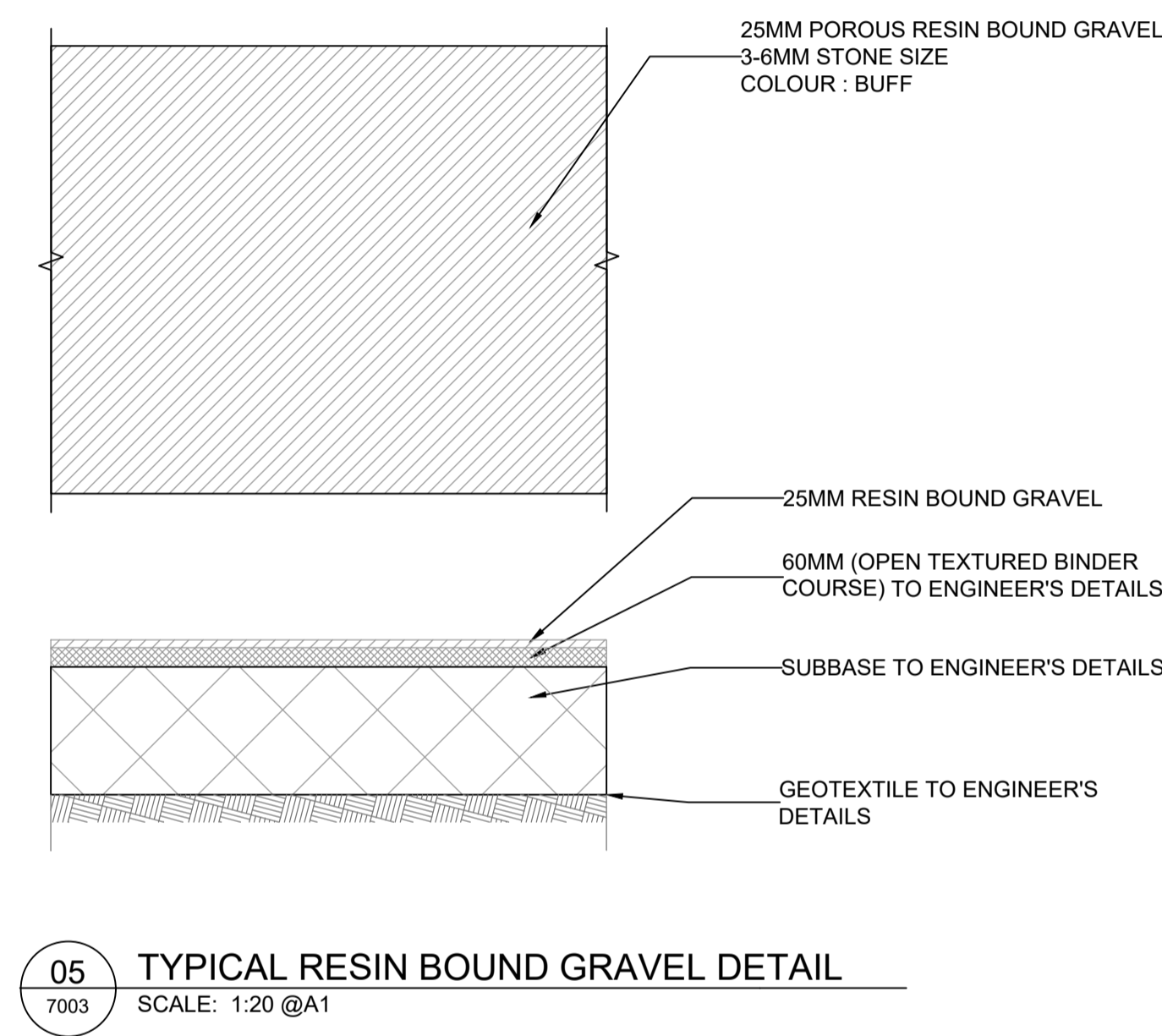
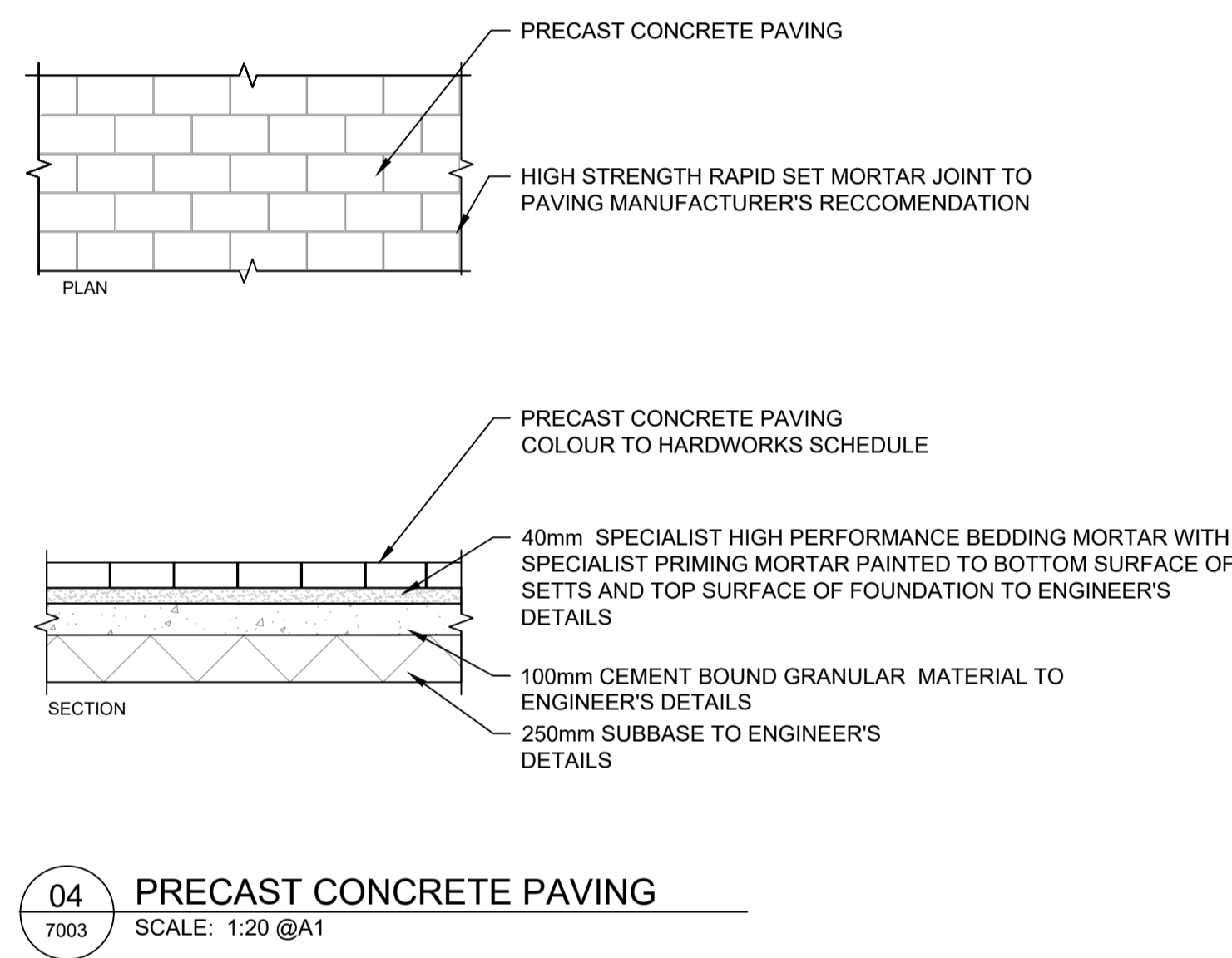
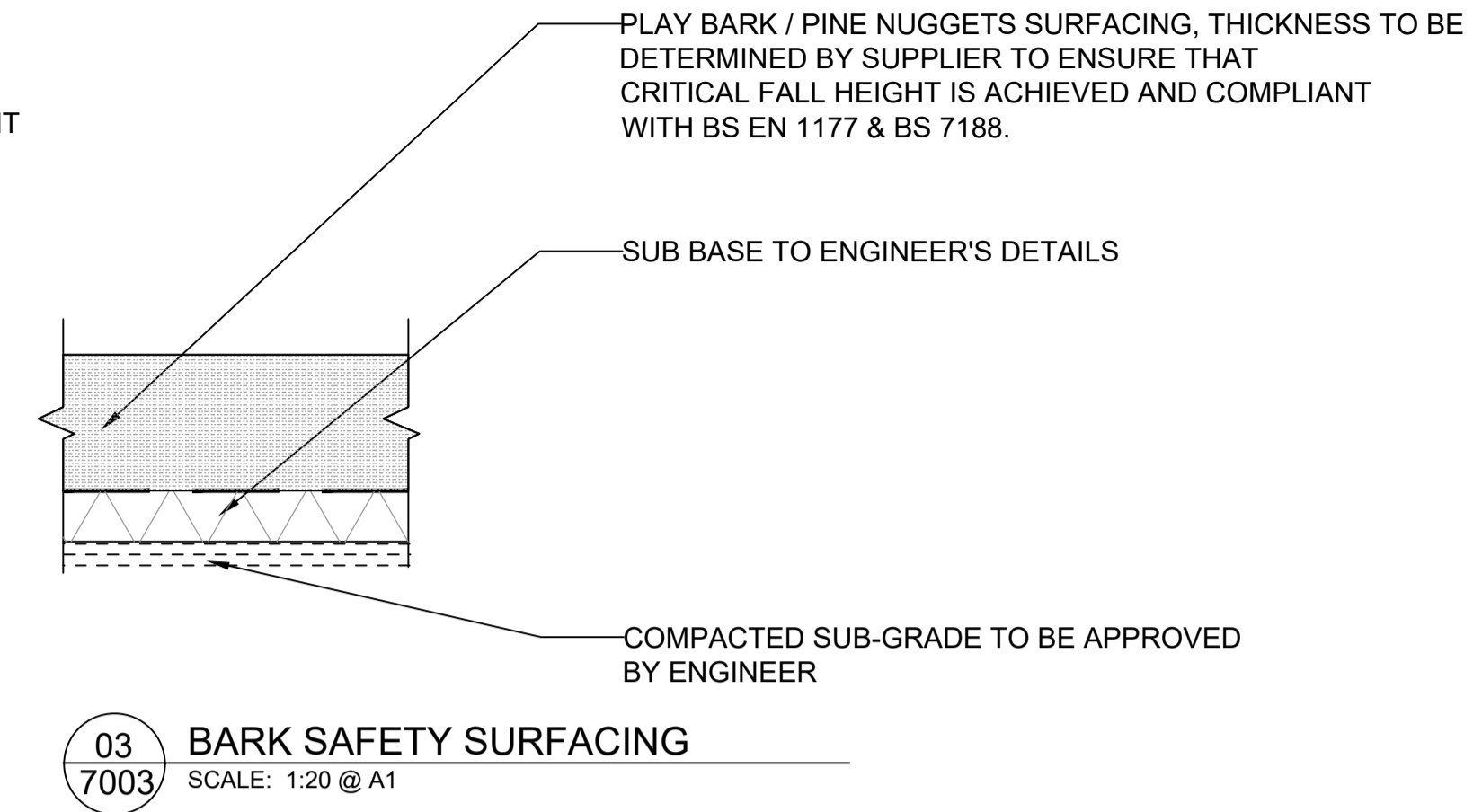
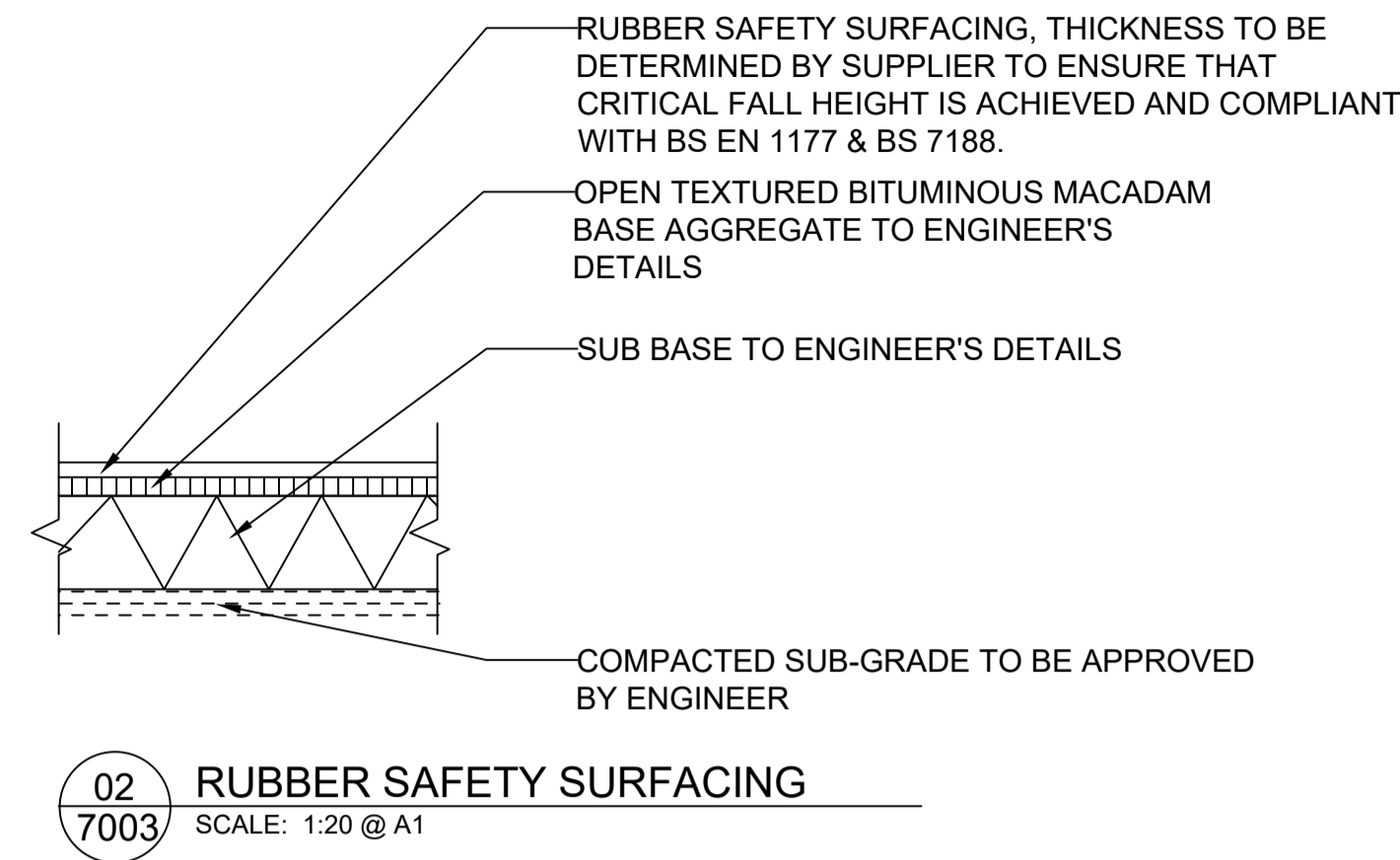
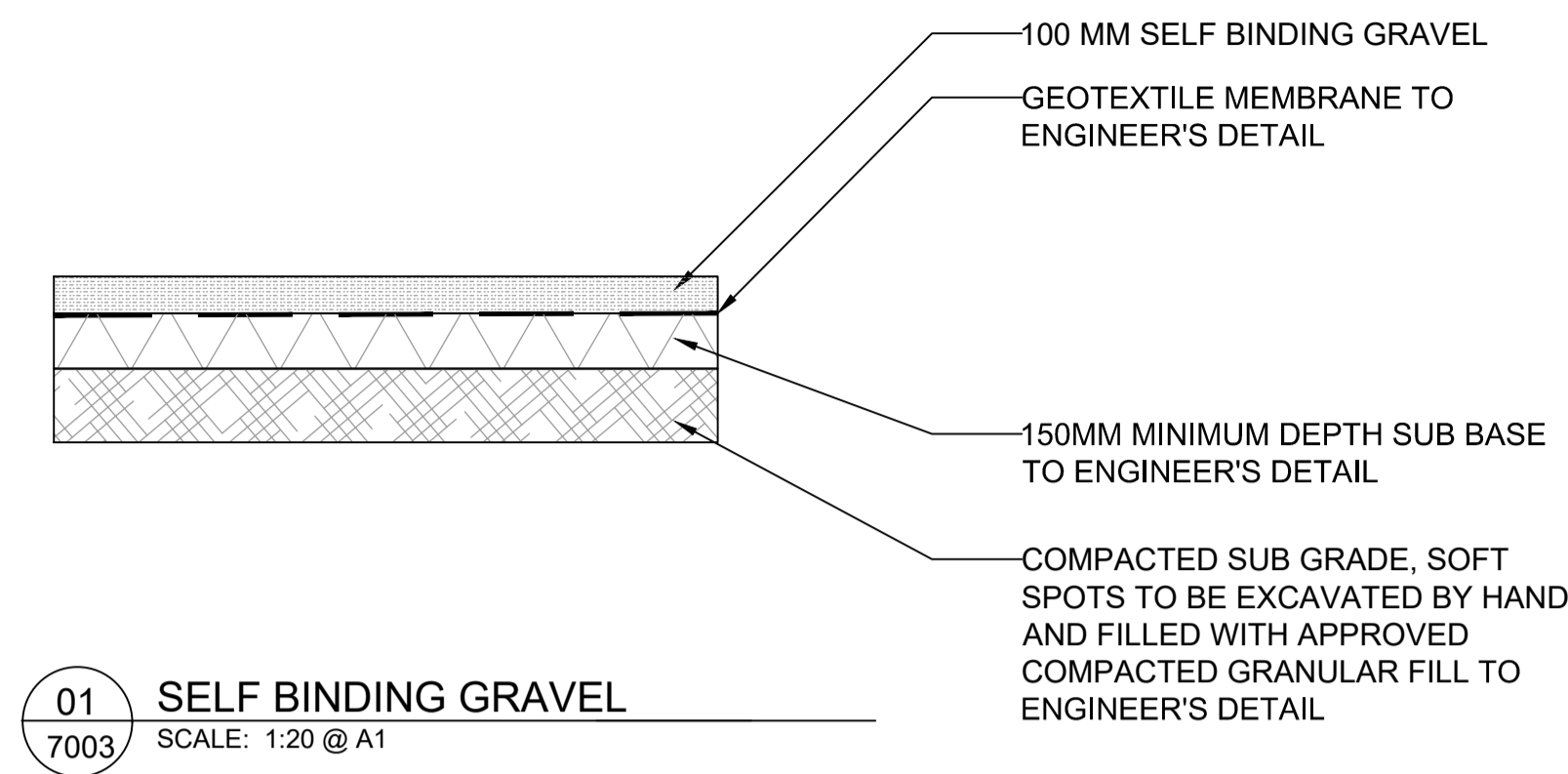


ISO A1 1594mm x 841mm
Project Management Initials: Designer: MARK HAMMOND Checked: ROSS LOUGHNANE Approved: ED FRAMPTON
Last saved by: ROWAN.OSMAN(2020-01-21) Last Plotted: 2020-01-21
Filename: F:\PE\TECH\ACAD\2018\B\K_SHANGANAGH\B00_CAD_CIS1906_LA01_SHEET\SHNG-ACM-00-ST-SK-L-7000.DWG



ISSUE/REVISION

I/R	DATE	DESCRIPTION
-	24 Jan 2020	ISSUE FOR PLANNING

PROJECT NUMBER

60588099

SHEET TITLE

DETAILS
SHEET 5 / 6

SHEET NUMBER

SHNG-ACM-00-ST-SK-L-7004

This drawing has been prepared for the use of AECOM's client. It may not be used, modified, reproduced or relied upon by third parties, except as agreed by AECOM or as required by law. AECOM accepts no responsibility, and denies any liability whatsoever, to any party that uses or relies on this drawing without AECOM's express written consent. Do not scale this document. All measurements must be obtained from the stated dimensions.